

KSE VS 150

THE ORIGINAL REVISITED



Union fittings provided,
50 and 63 mm diameter,
to fit in any existing installation

- ➔ Variable speed: high efficiency for each application, optimised consumption
- ➔ 5 programs, 3 preselected speeds
- ➔ Super-silent operation
- ➔ Visibility of the internal prefilter, easy access
- ➔ Impeller and diffuser made of Noryl®, very hard-wearing and corrosion-resistant
- ➔ Double drain, easy opening (no tools required)
- ➔ Permanent magnet motor
- ➔ Usage: for residential pools up to 126 m³
- ➔ Prefilter size: 3.5L

Code	Ref.	Hp	P2 (W)	P1 (W)	Amps (A)	A (mm)	Flow rate (m ³ /h)*	Weight (kg)	Pack. (mm)	qty/pallet
010904101520	KSE VS 150	1.50	1104	1250	5.9	605	21	15	300 x 255 x 650	25

P1 Input power - P2 Output power * 10 m water column pressure M.O.Q. : 1

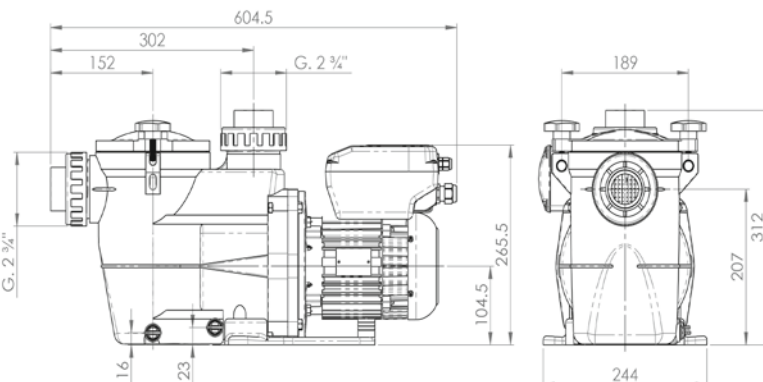


Single Speed models can be easily replaced with a VS equivalent.
(No need to retrofit or modify hydraulic connections).

Technical Specifications

Max. water temp. / Max. pressure	50°C / 2,5 bar
Connection (DIN slip included, for others please ask)	Ø 50 - 1 1/2" and Ø 63 - 2"
Mechanical seal	AISI 316, suitable for salt water
Motor specifications	Class F, IP55, 50 Hz 2.850 rpm
Housing/impeller/strainer/lid	PP + F.G/Noryl®/PP/SAN®

*All bodies have a 2" thread, possibility of having ANSI connection



Water column pressure (m)

