

DOLPHIN M400 CB

Item #	Item Number	Description
001	Kit Options	
. 001.1	9995672BL-ASSY	POWER SUPPLY TIMER+BLE
. 001.1.01	5020012	AMPH. SOCKET COVER FOR P.S
. 001.1.02	5020011	AMPH. SOCKET FOR P.S
. 001.1.03	5898411LF	CABLE SWITCHING POWER SUPPLY EU
. 001.1.A	3379212	SCREW KA30X12 WN1412 A2
. 001.1old	9995670-ASSY	POWER SUPPLY DIAGNOSTIC
. 001.1old.01	5020012	AMPH. SOCKET COVER FOR P.S
. 001.1old.02	5020011	AMPH. SOCKET FOR P.S
. 001.1old.03	5898411LF	CABLE SWITCHING POWER SUPPLY EU
. 001.1old.A	3379212	SCREW KA30X12 WN1412 A2
. 001.2	9996098-ASSY	CADDY 2011
. 001.2.01	9991098	TOP HANDLE
. 001.2.02	9980675	HANDLE HOOK
. 001.2.03	9980679	RC HOLDER
. 001.2.04	9980676	PROFILE INSERT
. 001.2.05	9991503-ASSY	NEW CADDY SCREW KIT
. 001.2.06	9980678	CABLE HOLDER
. 001.2.07	4197023-ASSY	PROFILE AL. CADDY + INSERT ASSY
. 001.2.07-1	4197024-ASSY	PROFILE AL. CADDY LIBERTY+INSERT
. 001.2.08	9980681	WHEEL FOR CADDY OM
. 001.2.09	9980672	WHEEL COVER NEW CADDY
. 001.2.10	9980670	BASE CADDY
01	99957042-ASSY	HANDLE ASSY SUPREME M4/M5
. 01.01	9980830	COVER HANDLE FLOAT SUPREME M4
. 01.02	6250942	HANDLE FLOAT FOR SUPREME M4
. 01.03	9980820	HANDLE FLOAT SUPREME M4
. 01.04	9980804	SIDE HANDLE COVER SUPREME M4/5
. 01.05	9980814	MAIN HANDLE SUPREME M4/5
. 01.06	9980887	BUTTON FLOAT LOCKER SUPREME M4
. 01.A	3379440-A	SCREW KA50X12 A2 WN1412
. 01.B	3379720-A	SCREW KA50X20 WN1412
02	9991045-ASSY	IMPELLER COVER SUPREME M4/5 ASSY
03	9991047-ASSY	CARTRIDGE DOOR KIT SUPREME M4/5
04	99952032-ASSY	OUTER CASING SUPREME M4/M5
. 04.02	9980840	UPPEER SHELL
. 04.03	9980850	IMPELLER COVER GREY
. 04.04	3917031	HANDLE CLIP SPRING
. 04.05	9980885	INSIDE HANDLE COVER
. 04.06	9980884	HANDLE LOCK - SPRING
. 04.07	9985065	HANDLE ARM SLIDE
. 04.08	9980886	LOCKER HOOK SUPREME M4
. 04.09	9980881	DOOR BUTTON SUPREME M4
. 04.10	9980870	CARTRIDGE DOOR SUPREME M4
. 04.A	3379440-A	SCREW KA50X12 A2 WN1412
. 04.B	3379720-A	SCREW KA50X20 WN1412

DOLPHIN M400 CB

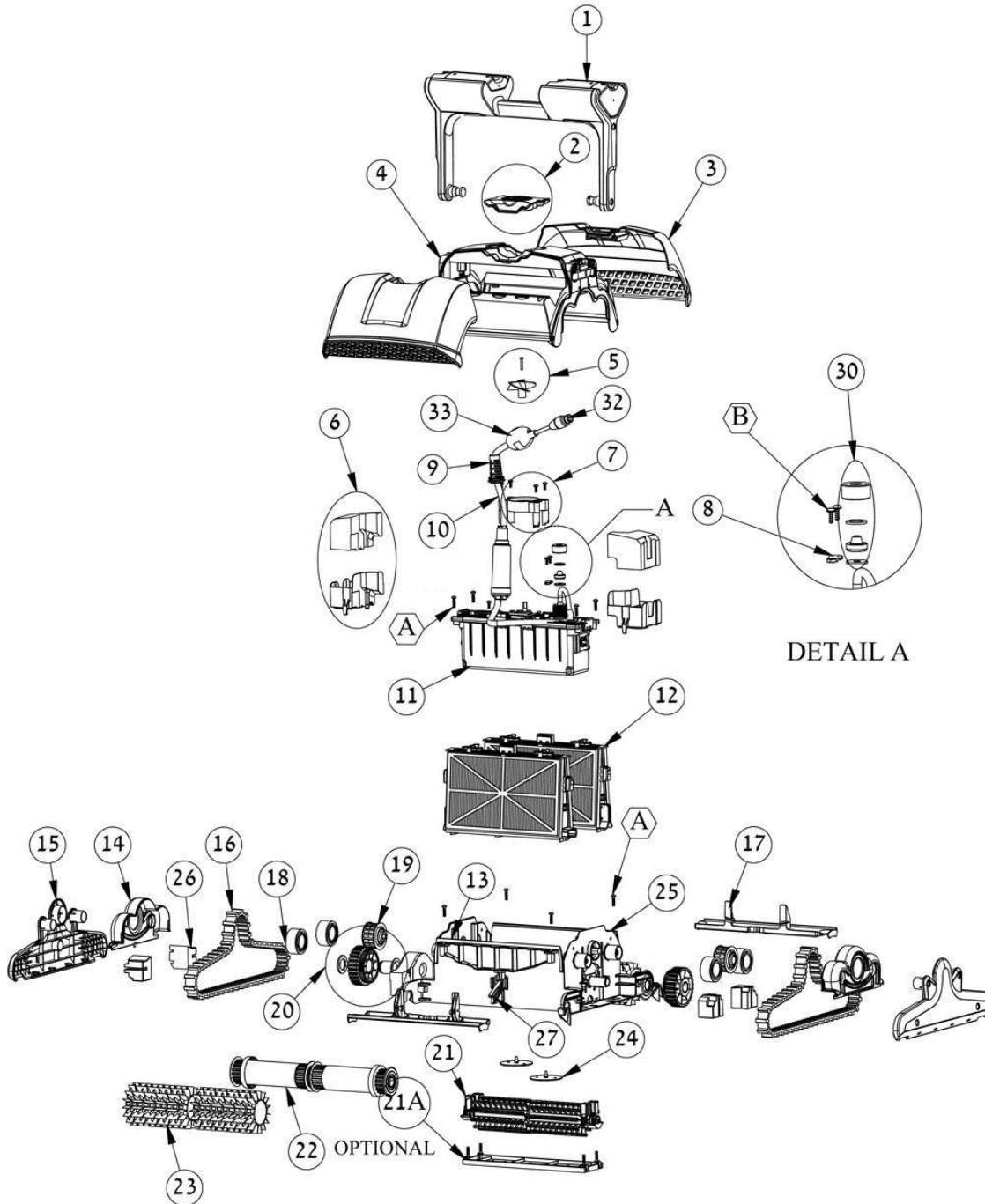
Item #	Item Number	Description
. 04.C	3379720-A	SCREW KA50X20 WN1412
05	9995266	BLACK IMPELLER+SCREW DC
06	9991049-ASSY	FLOAT+HOUSE FOR MU SUPREME 5 KIT
07	9991044-ASSY	IMPELLER PROTECTOR ASSY
08	9982332	CABLE HOLDER DB
09	9980880	SUPPORT FOR CABLE 2010
10	Kit Options	
. 10.1	9995873-DIY	CABLE AND SWV DIY 18M DYN M4/5
. 10.1old	9995862-DIY	CABLE AND SWV DIY 18M DIAG M4
. 10.2	9995791-DIY	CABLE SWV DYN 1.2M' DIY
. 10.2old	9995793-DIY	CABLE SWV DIAG 1.2M' DIY
11	Kit Options	
. 11.01	9995266	BLACK IMPELLER+SCREW DC
. 11.02	9991044-ASSY	IMPELLER PROTECTOR ASSY
. 11.03	9991273	RETROFIT FOR CABLE CON. 2010
. 11.03.01	9985048	CABLE CONN.THREE PIN
. 11.03.02	1811404	CABLE CONNECTOR
. 11.03.03	9985027	PLASTIC WASHER 7MM X 2MM
. 11.03.04	3861002	RK RING FOR CABLE CONN.
. 11.03.05	9980025	GLANDE WASHER 13MM
. 11.03.06	9980728	NUT FOR MBU TERMINAL 2010
. 11.04	5588902	IMPELLER MOTOR HOLDER 2
. 11.05	9982332	CABLE HOLDER DB
. 11.06	9980726	MBU COVER LOCKER LENGTH SIDE
. 11.07	9980727	MBU COVER LOCKER SHORT SIDE
. 11.08	9991217-DIY	MBU COVER DIAG/DYN 2010 ASSY
. 11.09	5890051LF	CABLE MBU 2010
. 11.10	3864202	SEAL 202X4 MBU 2010
. 11.11	3862503	SEAL ORING 25X3 I.M
. 11.12	5583323	SEAL ORING 32X3
. 11.13	9991218-ASSY	IMPELLER MOTOR 2010 ASSY
. 11.14	9995009	ELECTRONIC CARD DYN 2010 ASSY
. 11.15	5588900	DRIVE MOTOR HOLDER
. 11.16	4850010	DESSICATING BAG
. 11.17	3862119	SEAL ORING 2-119 D.M
. 11.18	3861902	SEAL ORING 19X2 D.M
. 11.19	9991219-ASSY	DRIVE MOTOR 2010 ASSY
. 11.20	9980723	MBU BOX DYN 2010
. 11.A	3379440-A	SCREW KA50X12 A2 WN1412
. 11.B	3379440-A	SCREW KA50X12 A2 WN1412
. 11.C	3389208-A	SCREW ZP WN1412 KA30X08
. 11.MU1	9995382-ASSY	MU DYN NEW
. 11.MU2	9995382-EX	MU DYN EX
12	Kit Options	
. 12.02	9991431-ASSY	DISPOSABLE FILTER - KIT OF 10
. 12.03	9980731	CARTRIDGE LOCKING HOOK

DOLPHIN M400 CB

Item #	Item Number	Description
. 12.04	9980753	FILTER KIT LOCKING ADAPTOR
. 12.05	9991433-ASSY	SPRING FILTER KIT OF 4
. 12.06	9980733	FILTER AND CARTRIDGE HOLDER
. 12.07	9991432-ASSY	ULTRA FINE CART. FILTER KIT OF 4
. 12.08	9980891	NON RETURN FLAP 2010
13	3865005	D TYPE ADAPTOR
14	9980883	TRACK SAFETY COVER
15	9980863	SIDE PANEL SUPREME M4/5
16	9985006	TRACK - TIMING TRACK GREY
17	9980892	BRUSH SAFETY COVER
18	3884997	GUIDE WHEEL
19	3883645	PULLEY FOR FLAT SHAFT - TT
20	9991043-ASSY	GEAR FOR ACTIVE BRUSH ASSY
21	9995541-ASSY	ACTIVE BRUSH DYN ASSY
. 21.01	9980737	BEARING HOLDER
. 21.02	9980759	POLIGON SPINDEL
. 21.04	3379440-A	SCREW KA50X12 A2 WN1412
. 21.05	5585177	BEARING 6001 BNL
. 21.06	9980756	BRUSH TUBE CONNECTOR DYN
. 21.07	9980736	ACTIVE BRUSH
. 21.08	9980742	SPUR GEAR 16
. 21.09	6101922	PVC SUPPORT FOR ACTIVE BRUSH
. 21.10	9991594	ACTIVE BRUSH HOLDER ASSY
21A	9980700	BOTTOM COVER 2010
22	99955956-ASSY	WHEEL ASSY FOR TIM.TRACK-DYN DB
. 22.01	9982275	CORK FOR INNER WHEEL TUBE D.BASI
. 22.02	3884073-ASSY	DIAG. BASIC -WHEEL BEARING
. 22.03	3885000	DIAG.BASIC STOPPER RING
. 22.04	6101912	PVC TUBE FOR DYN.TT WHEEL ASSY
. 22.05	6101914	DIAG. BASIC - INNER WHEEL TUBE
23	Kit Options	
. 23.01	6101635	BRUSH PVC DYN GREY
. 23.02	6101656	BRUSH PVC DYN GREY CB
. 23.03	6101611	BRUSH WB RING FOR CB
. 23.04	9995560-ASSY	BRUSH WB - DYN - PAIR
. 23.05	99955340-ASSY	WHEEL ASSY DYN BASIC CB GREY
. 23.06	99955360-ASSY	WHELL TUBE ASSY GREY WB
24	9991046-ASSY	DIAPHRAGMA 2010 - PAIR
25	9980890	FRAME SUPREME M4/5
26	9991048-ASSY	FLOATS FOR SIDE PANELS KIT
27	9980741	BRUSH SUPPORTER 2010
30	9991273	RETROFIT FOR CABLE CON. 2010
. 30.01	9985048	CABLE CONN.THREE PIN
. 30.02	1811404	CABLE CONNECTOR
. 30.03	9985027	PLASTIC WASHER 7MM X 2MM
. 30.04	3861002	RK RING FOR CABLE CONN.

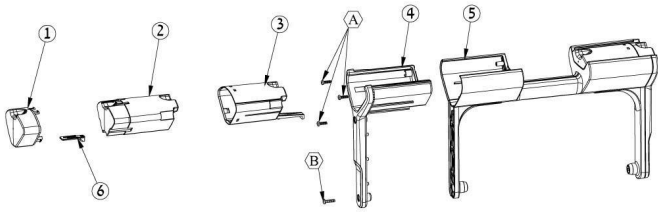
DOLPHIN M400 CB

Item #	Item Number	Description
30.05	9980025	GLANDE WASHER 13MM
30.06	9980728	NUT FOR MBU TERMINAL 2010
32	5000009	AMPHENOL PLUG
33	9995090	CABLE FLOAT ASSY
A	3379720-A	SCREW KA50X20 WN1412
B	3379440-A	SCREW KA50X12 A2 WN1412



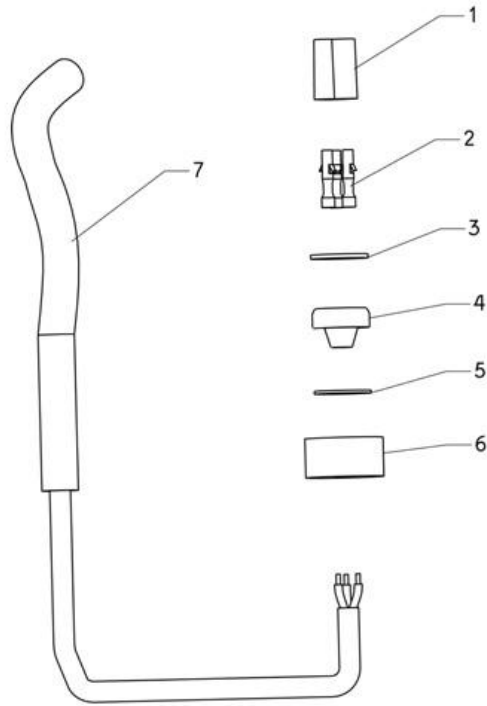
DOLPHIN M400 CB

#01 (handle assy supreme m4/m5)



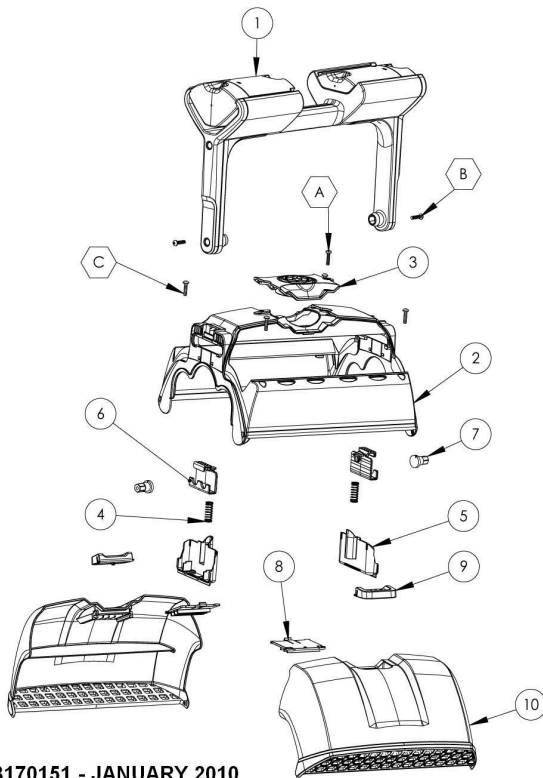
8170150 - JANUARY 2010

#03 (retrofit for cable con. 2010)



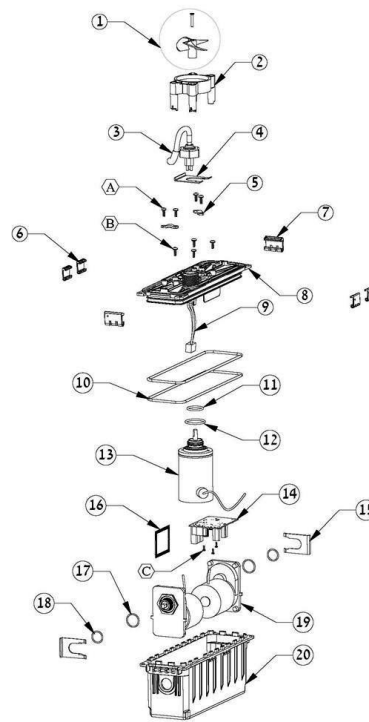
September 2004 - 8170051

#04 (outer casing supreme m4/m5)



8170151 - JANUARY 2010

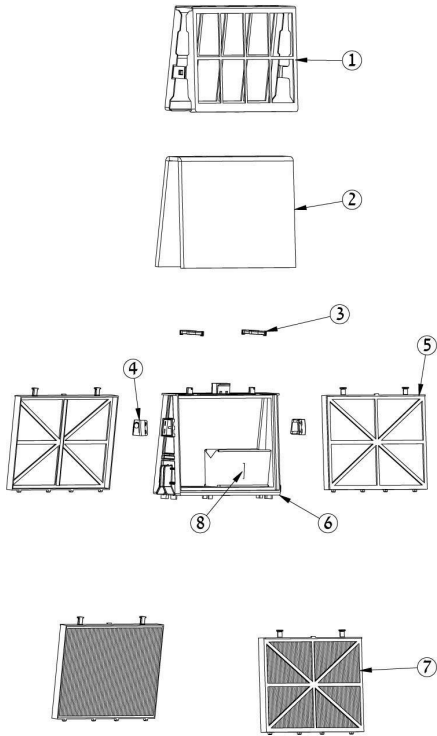
#11 (motor unit dyn 2010-catalog kit)



P/N: 8170159 SEPTEMBER 2010

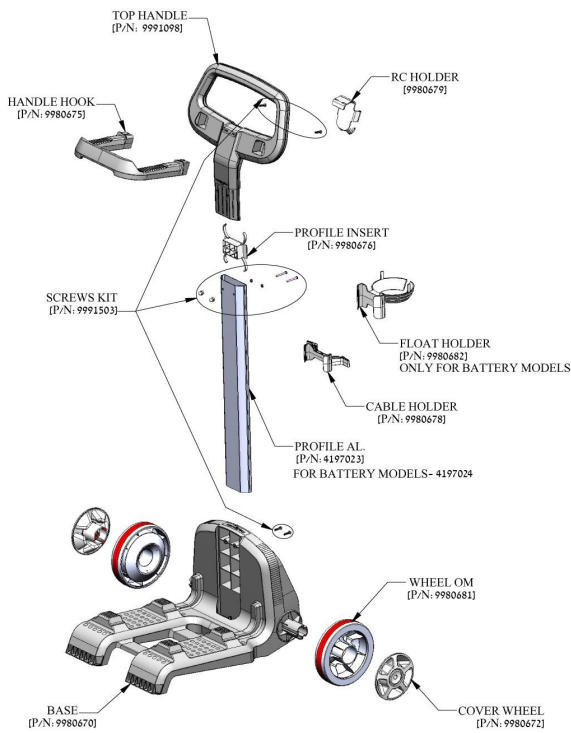
DOLPHIN M400 CB

#12 (filters dol.2010 - catalog kit)



8170148 - JANUARY 2010

#2 (caddy 2011)



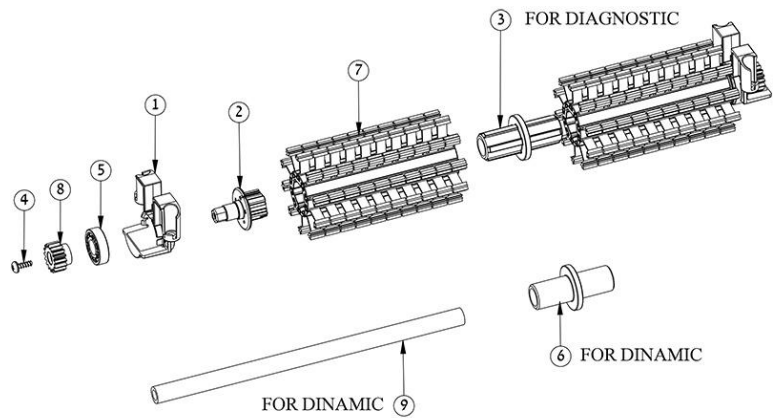
P/N: 9996098-ASSY
SEPTEMBER 2011

#1old (power supply diagnostic)



8170149 - JANUARY 2010

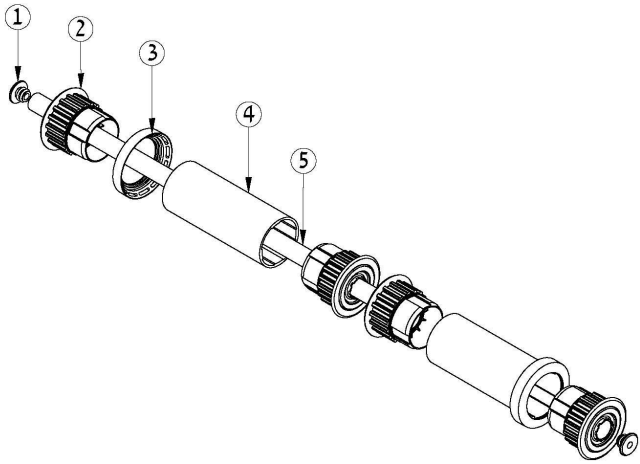
#21 (active brush dyn assy)



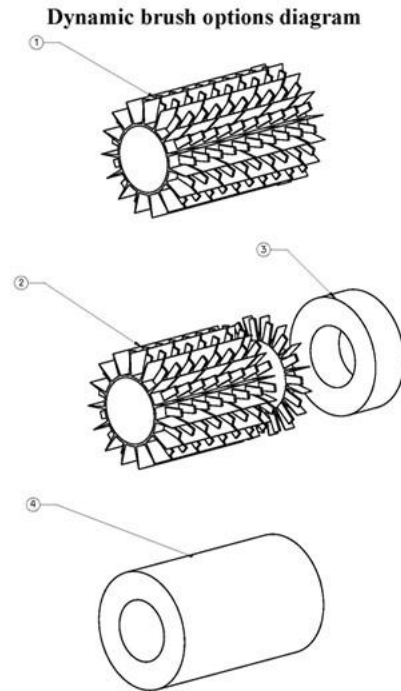
8170147 - JULY 2014

DOLPHIN M400 CB

#22 (wheel assy for tim.track-dyn db)

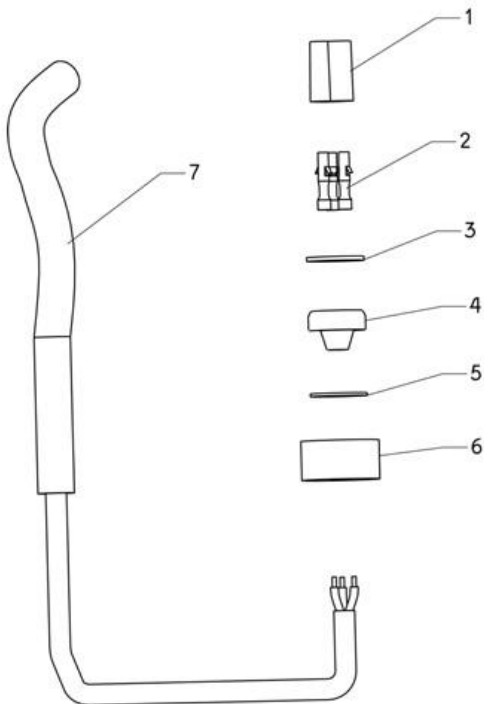


#23 (brushes- dyn grey -catalog kit)



January 05 P/No 8170054

#30 (retrofit for cable con. 2010)



September 2004 - 8170051